

# SW5Dual-VA21B2345 Spare parts list

HEPP2 5-inch dual submersible pump

hepp2.com



Fig. 1

Pos.	Pcs.	Description
16	4	Lock washer DIN 127 - A 8 x 2
18	2	Stainless steel plate handle patent
19	4	14 mm bolt vertical handle
21	4	Lock washer DIN 127 - A 6 x 1.6
22	4	DIN 912 - M6 x 1 x 25 - hex socket

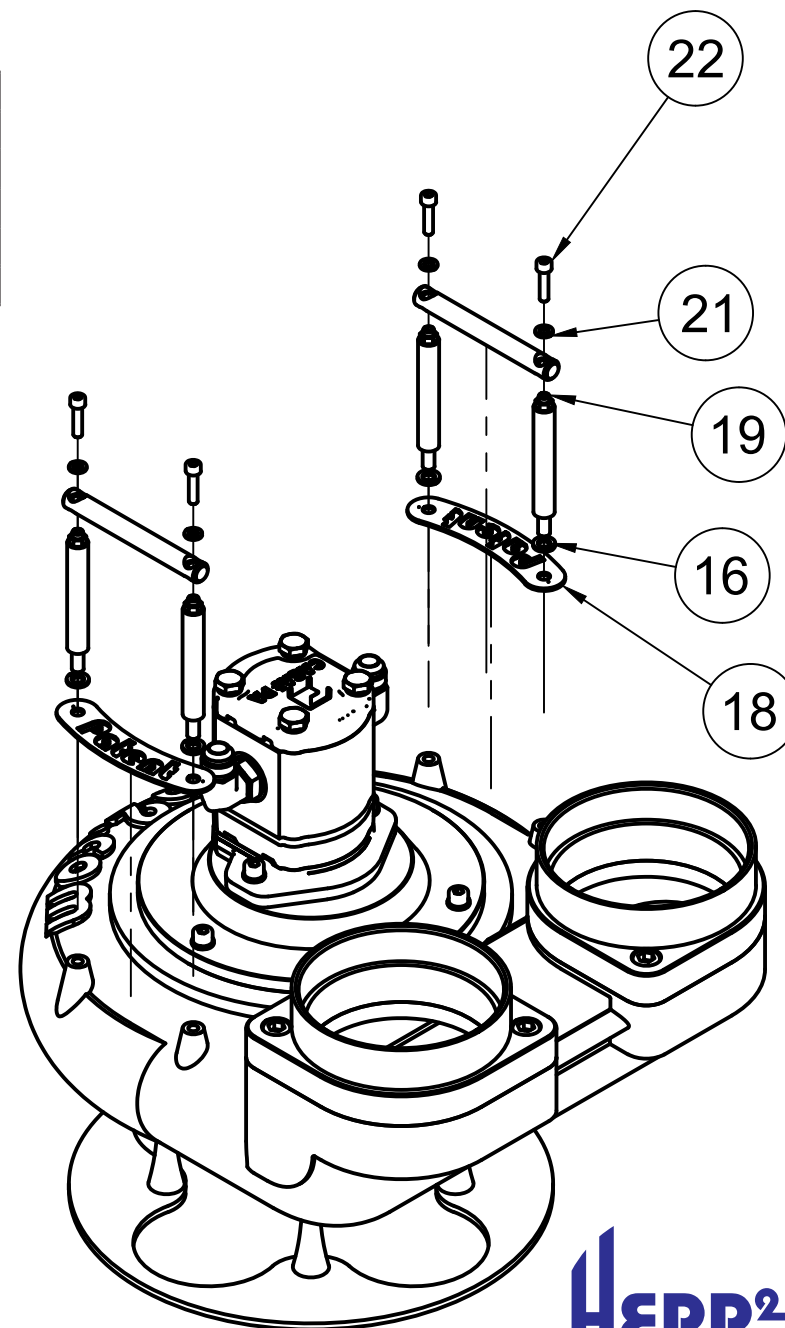


Fig. 2

Pos.	Pcs.	Description
2	4	100 mm bolt - M14
3	4	Lock washer DIN 127 - A 14 x 3
4	1	320 x 5 mm base plate basket 5 inch
5	4	DIN 7991 - M8x20 - countersunk screw with hex socket

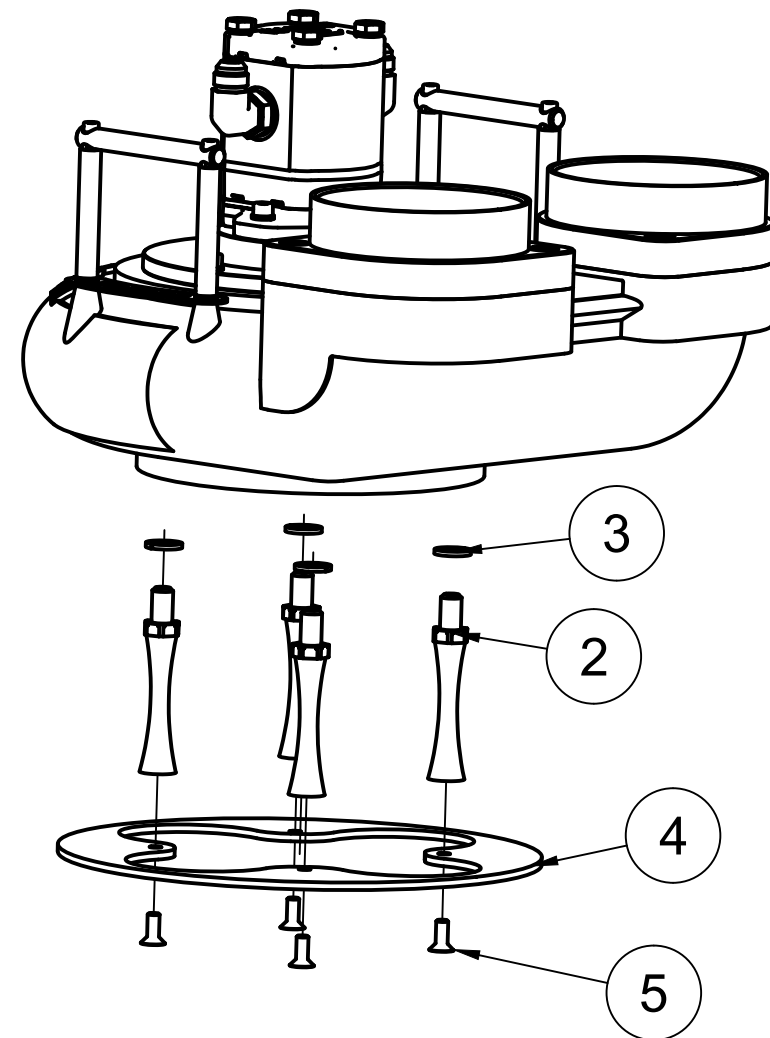
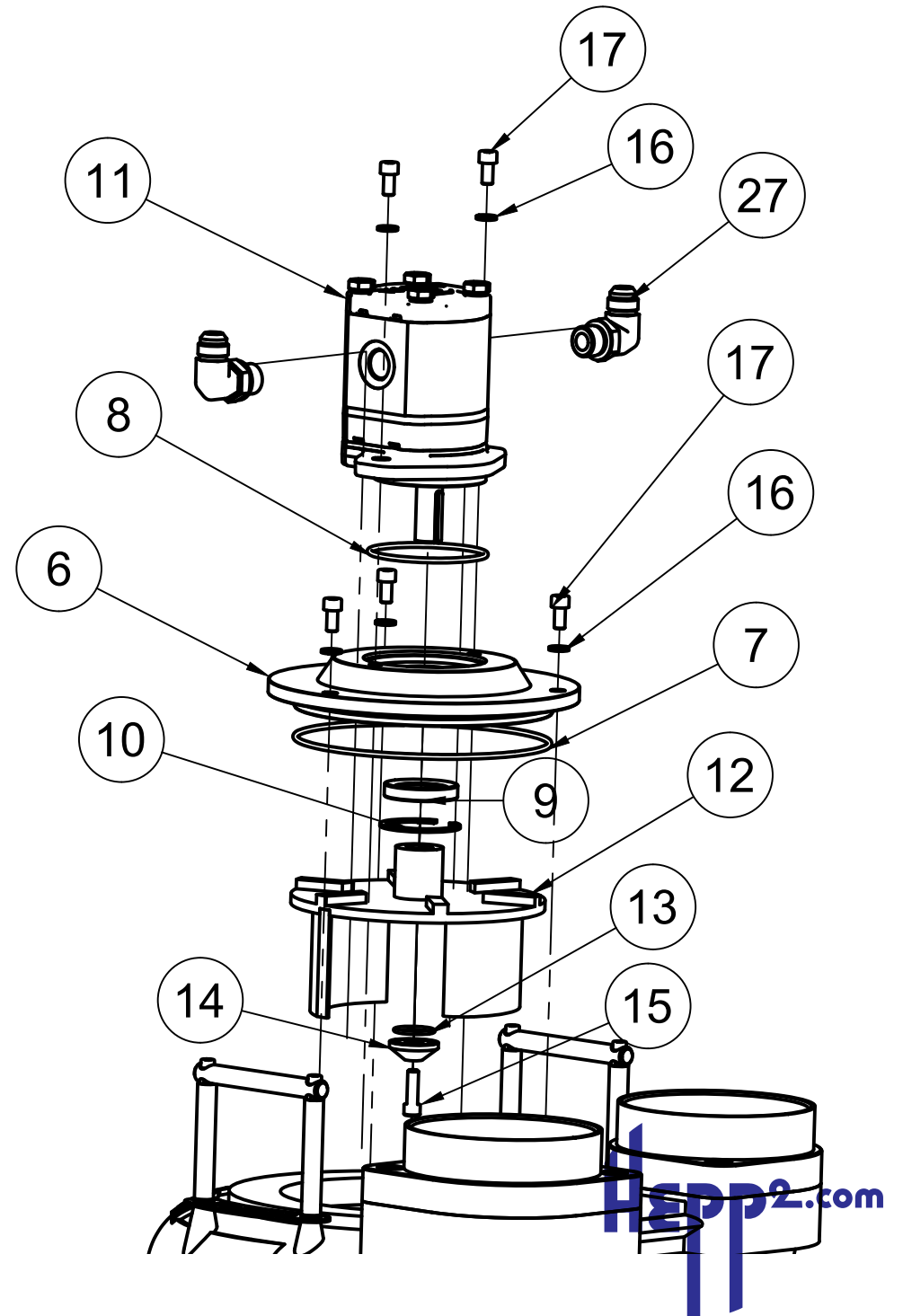


Fig. 3

Pos.	Pcs.	Description
6	1	Top cover - drive line - motor-blade
7	1	O-ring 183.74 x 3.53
8	1	O-ring 82.14 x 3.53
9	1	Oil seal WA 49383892 34.92 53.97 9.52-1
10	1	Retaining ring
11	1	Motor
12	1	Impeller stainless steel
13	1	O-ring 26 x 2.3 mm - motor
14	1	Lock washer blade
15	1	5/16 UNC x 1 screw lock washer
16	5	Lock washer DIN 127 - A 8 x 2
17	5	DIN 912 - M8 x 1.25 x 16 - hex socket
27	2	Adapter 90° AG UNF 7/8" - OR AGJ 7/8" VA, adjustable screw-in fitting



**Fig. 4**

Pos.	Pcs.	Description
1	1	5-inch dual submersible pump housing aluminum
23	2	Adapter 5 to 5 inch BSP female thread G5 inch
24	4	Lock washer DIN 127 - A 12
25	4	DIN 912 - M12 x 1.75 x 30 hex socket
26	2	O-ring 140 x 4 adapter

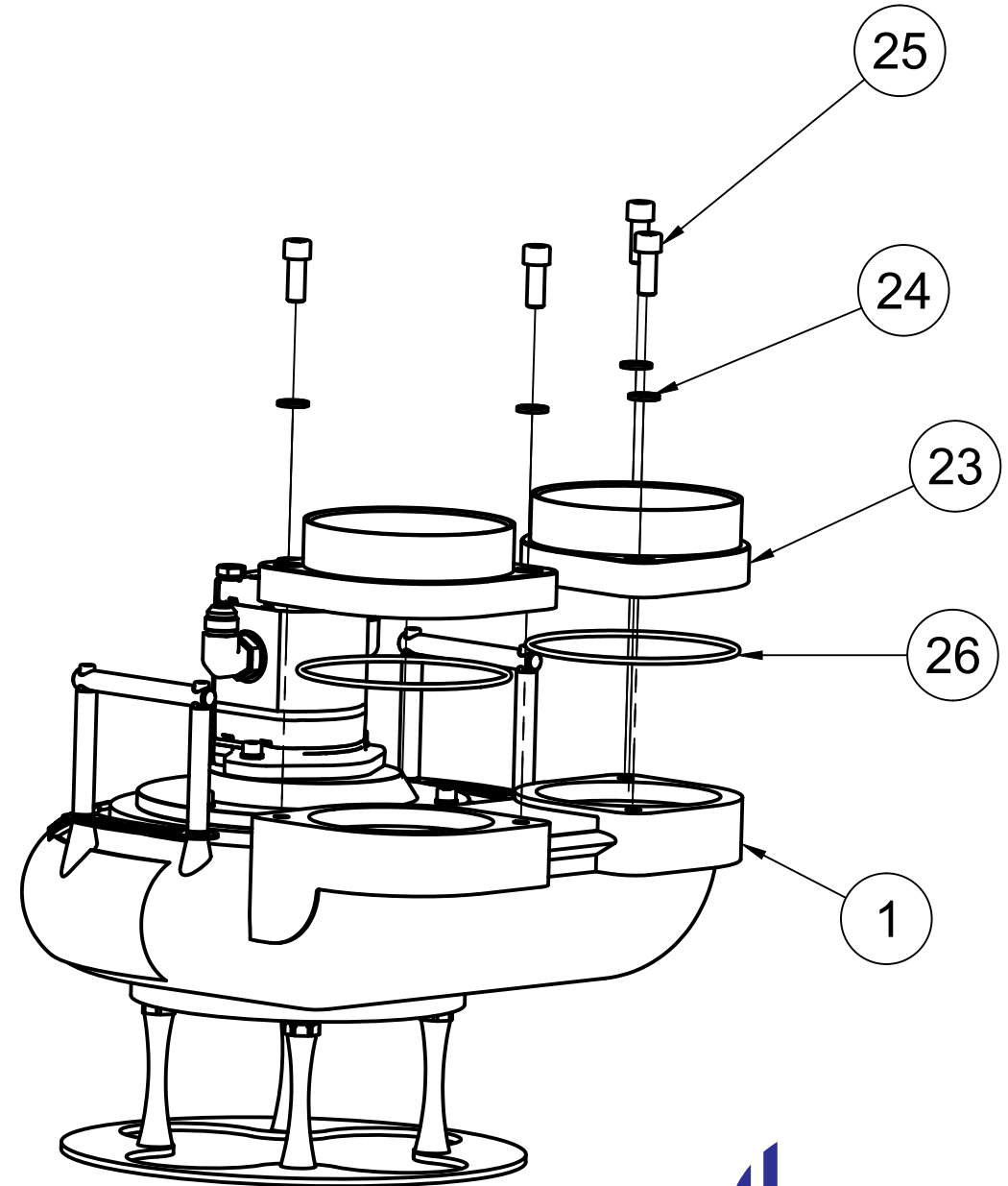


Fig. 5

Pos.	Pcs.	Description
1	1	5-inch dual submersible pump housing aluminum
2	4	100 mm bolt - M14
3	4	Lock washer DIN 127 - A 14 x 3
4	1	320 x 5 mm base plate basket 5 inch
5	4	DIN 7991 - M8 x 20 - counter-sunk screw with hex socket
6	1	Top cover - drive line - motor-blade
7	1	O-ring 183.74 x 3.53
8	1	O-ring 82.14 x 3.53
9	1	Oil seal WA 49383892 34.92 53.97 9.52-1
10	1	Retaining ring
11	1	Motor
12	1	Impeller stainless steel
13	1	O-ring 26 x 2.3 mm - motor
14	1	Lock washer blade
15	1	5/16 UNC x 1 screw lock washer
16	9	Lock washer DIN 127 - A 8 x 2
17	5	DIN 912 - M8 x 1.25 x 16 - hex socket
18	2	Stainless steel plate handle patent
19	4	14 mm bolt vertical handle
20	2	14 mm bolt horizontal handle
21	4	Lock washer DIN 127 - A 6 x 1.6
22	4	DIN 912 - M6 x 1 x 25 - hex socket
23	2	Adapter 5 to 5 inch BSP female thread G5 inch
24	4	Lock washer DIN 127 - A 12
25	4	DIN 912 - M12 x 1.75 x 30 - hex socket
26	2	O-ring 140 x 4 adapter
27	2	Adapter 90° AG UNF 7/8" - OR AGJ 7/8" VA, adjustable screw-in fitting